

CAT. & Size M2000202N (40 Pcs/Box)

VKEYBIO-01-2024

For Research Use Only

Storage at RT

Not For Diagnostic Or Therapeutic Use

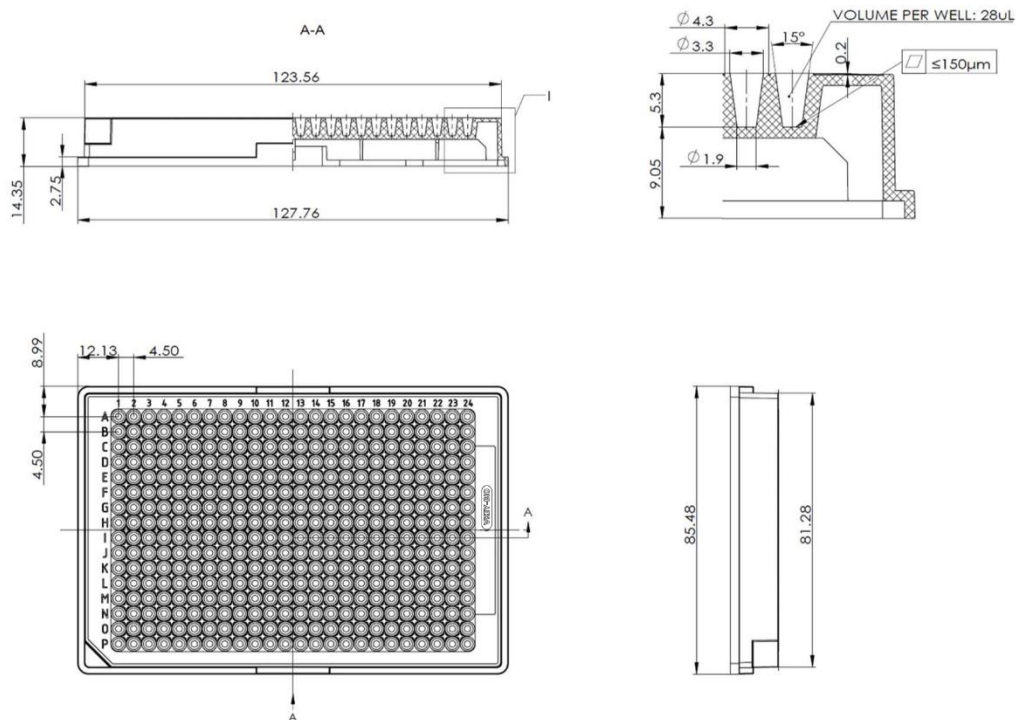
KeyTec® 384-Well Black Flat Low-Volume Microplates, PS, Solid, Non-treated, No lid

Instruction Manual

1. Introduction

KeyTec® 384-Well Black Flat Low-Volume Microplate is designed for Fluorescence, Fluorescence Polarization, Luminescent assays. With shallow wells designed for lower assay volumes (suitable for 20 μ L), it brings samples in closer proximity to the reader's detectors. Designed to miniaturize your assay and utilize cost reduction advantages.

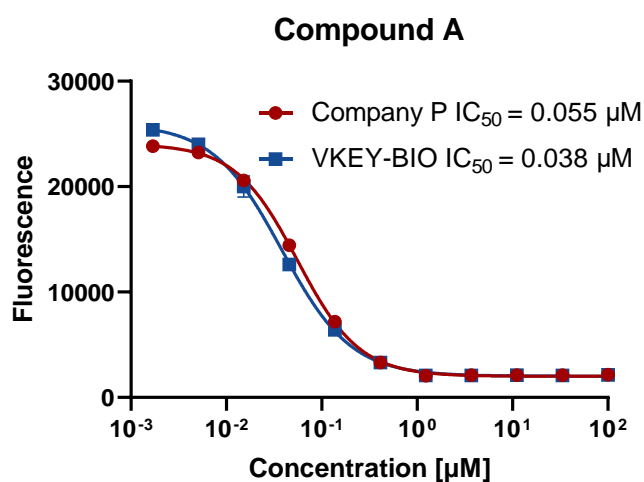
2. Dimension



3. Specifications

CAT.	Description
Automation Compatible	Yes
Coating Treatment	Untreated
Color	Black
Detection Method	Fluorescence, Fluorescence Polarization, Luminescent
Material	Polystyrene
Size	40 Pcs/Box
Wells Number	384 well plate
Well Shape	Shallow-well
Working Volume	4 μ L - 25 μ L
Total Volume	28 μ L

4. Performance



Tip: The data provided above is for reference only. Actual results may vary depending on the performance of the microplate reader used.